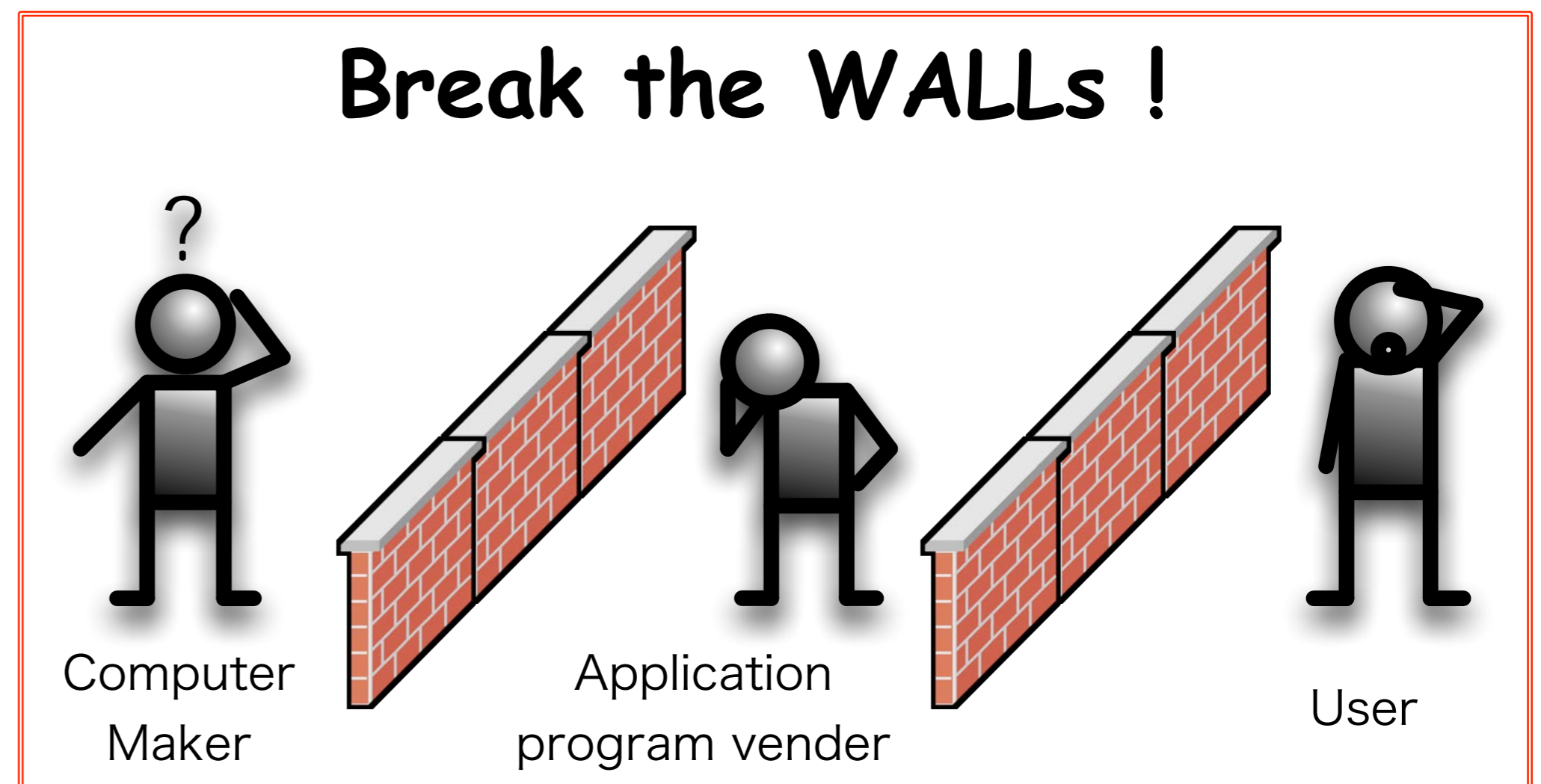


Research Group on CAE Computer

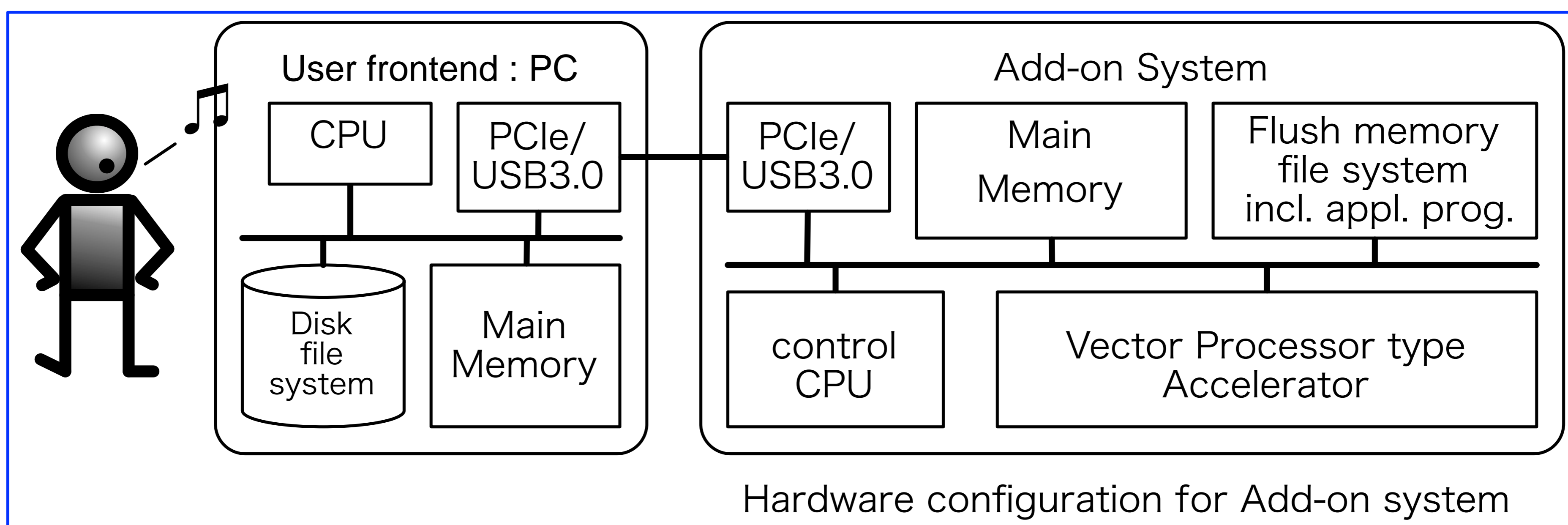
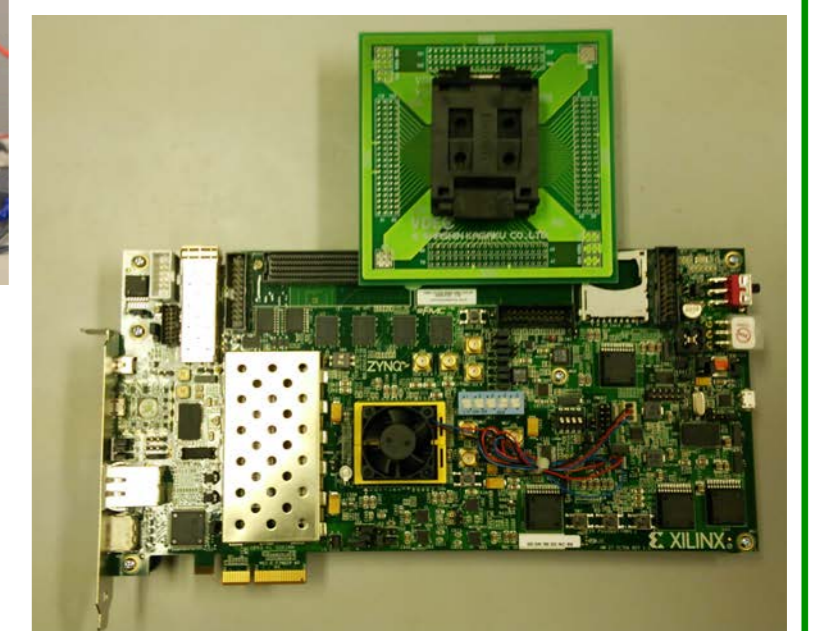
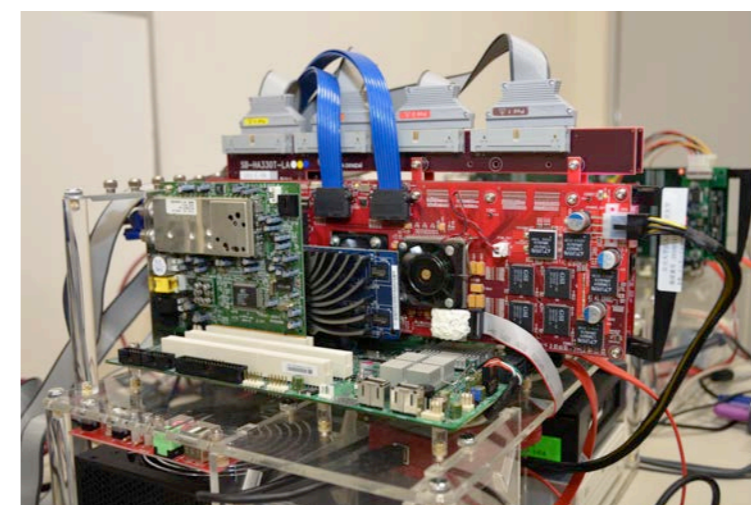
We propose New CAE Environment:

- User friendly and easy-to-use packages.
- Add-on hardware Accelerators or tailored Servers for these packages.
- No hassle optimization required not only Users but also Package vender.



We are developing by several Steps:

- FPGA based system: Just investigate an Accelerator Architecture
- Prototype System: ASIC Accelerator and Zynq based, eMMC file system
- Add-on type product: PCIe board, USB3 box
- Single node Server System: more performance by server processor chip w/ Accelerator
- Cluster System: few nodes systems for division, large number of nodes systems for computing center
- Cloud Service: large number of servers can provide solution services



Masahiro Fukuda (Focus), Moriyuki Takamura (Fujitsu Laboratories)
Yoshinari Fukui (TUS), Toshiaki Kitamura (Hiroshima City University)